

# RIGID HEDDLE LOOM STAND VARIABLE WIDTH

For 120cm (48") Looms

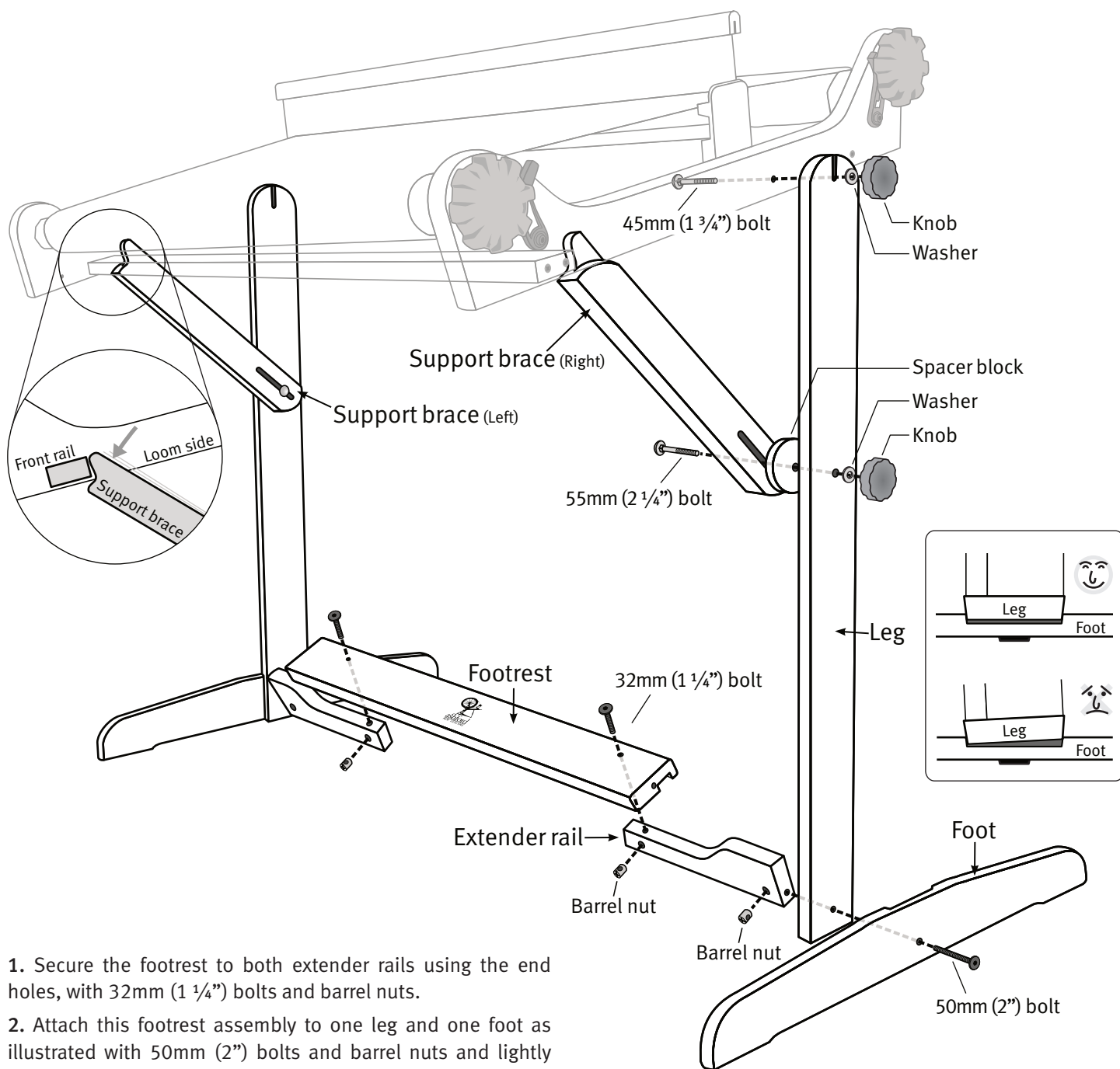


RHLS12030820

**Ashford Guarantee**

Thank you for purchasing this Ashford product. In the unlikely event there is any fault in manufacture please contact the Ashford Dealer who supplied it. To validate our guarantee please visit our website -support- product registration, or email us.

# ASSEMBLY INSTRUCTIONS

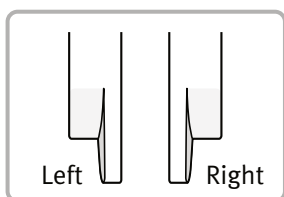


1. Secure the footrest to both extender rails using the end holes, with 32mm (1 1/4") bolts and barrel nuts.

2. Attach this footrest assembly to one leg and one foot as illustrated with 50mm (2") bolts and barrel nuts and lightly tighten with the Hex Key. Note the tapered leg fits snugly into the tapered rebate in the foot. Repeat for the other side.

3. Insert 45mm (1 3/4") bolts from the inside of your loom and tap the head of the bolt flush against the loom side. Then locate the loom and bolts into the slots in the legs and secure with washers and knobs.

4. Note the support braces are left and right. Check they are on the correct side and then attach them to the legs with 55mm (2 1/4") bolts, spacer blocks, washers and knobs.



5. Sit at the loom and adjust the angle of the loom and footrest to suit. Lift the support braces up under the front cross rail and tighten all knobs and bolts.

6. Store the Hex Key in the hole in the footrest so you can retighten the bolts if required.

7. The Freedom Roller can be attached to back of the loom to use when weaving thick rugs or for long warps.

Enjoy weaving on your Rigid heddle Loom!